

# OWNER'S MANUAL & WARRANTY



## **BLISS Transfer Commode**

Height Adjustable

*Model HH 590 200*



- Providing Patient Comfort • Preventing Injury to caregivers •
- Improving Nurse/Caregivers' working environment •

### **DEALER**

This manual must be provided to the user of the Commode

### **USER**

Before using the Commode please read this entire manual and save for future reference

## CONTENTS

<b>1. INTRODUCTION</b>	03
The Innovation	03
Intended Use	03
Intended User and Use Environment	04
Product Shelf Life	04
Important Safety Precautions	04
<b>2. WARNING &amp; CAUTIONS</b>	05
<b>3. COMPONENT IDENTIFICATION AND LABEL LOCATION</b>	06
Packing List	07
<b>4. ASSEMBLY INSTRUCTIONS</b>	07
<b>5. PROCEDURES FOR PATIENT TRANSFER</b>	08
<b>6. NOTE TO CAREGIVERS /PRODUCT WARRANTY</b>	10

## INTRODUCTION

Thank you for purchasing the BLISS TRANSFER COMMODE . For the best long - lasting performance , read and follow this Owner 's Manual carefully before using the commode . After reading , please store the Manual in a safe place and refer to it for operational questions or in the event of any irregularities.

The safety precautions in this manual are general warnings intended to be used only as basic guidelines.

This manual describes the operating limits of your commode , maintenance , operations and adjustments that you or your assistance can make . Refer to Page 24 , Maintenance and Adjustments , for proper maintenance of the commode.

The BLISS TRANSFER COMMODE is designed for indoor use and is available without prescription . This Commode has two important purposes : To transfer and transport User (especially those bedridden , frail and with limited movements ) , and to assist Caregiver to safely transfer user from one point to another without lifting preventing injury .

All information and specifications in this manual are current at the time of printing . It is our policy to continually improve the quality and reliability of all our products , we reserve the right to make changes to the Owner 's Manual at any time without notice.

## THE INNOVATION

THE BLISS TRANSFER COMMODE has been designed and engineered to perform as a stable and well balanced unit when used for its intended purpose , providing an extremely low friction mechanism while maintaining high tolerance on load carrying capacity.

## INTENDED USE AND INDICATIONS FOR USE STATEMENT

The BLISS TRANSFER COMMODE is a manually operated device that is intended for medical purposes to provide mobility to persons restricted to a sitting position, elderly and infirm to toilet or to defecate.

## INTENDED USER AND USE ENVIRONMENT

The intended users are persons who are restricted to a sitting position and who are less than 300 lb. (136 kg) in body weight . The commode is designed for use on firm , even surfaces such as concrete, asphalt, indoor flooring and carpets.

The BLISS TRANSFER COMMODE can only be used by the patient with assistance.

## PRODUCT SHELF LIFE

The average usable life of this commode is five (5) years, provided the product has been correctly and regularly maintained according to the manufacturer's recommendation.

## IMPORTANT SAFETY PRECAUTIONS

Always follow these safety precautions when using your commode. Failure to do so could result in personal injury to you or others or damage to your commode.

Safety requires the constant attention of the commode user and the attendant . It is extremely important to learn and always use safe methods of performing basic daily activities. Refer to **WARNINGS and CAUTIONS** on the following page . Always consult your health care professional to determine those methods most suitable for your individual abilities. Periodic inspection , adjustment and replacement of worn parts will provide many years of superb performance.

## WARNING & CAUTIONS

### **Before use, please ensure the device is firmly installed for safe usage**

Please adjust to a suitable height before use, and ensure that the seat plates on both sides remain at the same height

When using the transfer commode, ensure that the safety lock and the safety belt are locked.

The maximum load is 136 kg depending on the model purchased. Please check before use.

When adjusting the height of the seat, ensure that the front wheels are locked. Always ensure that the Commode is on a stable, level surface and engage the wheel locks before transfer.

**DO NOT** step on the footplates; this could cause the commode to tip. Fold them up when not in use. Wheel locks are not brakes.

**DO NOT** use the wheel locks to slow down your wheelchair or use them while the commode is moving. Wheel locks are only intended to keep the commode in place after it is at complete stop.

**DO NOT** operate your commode in sand, loose soil or over rocky terrain. This product is not intended for street use.

**DO NOT** use the commode on stairways or on an escalator.

**DO NOT** use with excessive speed, as the commode may tip.

**GRADIENT WARNING!** Any attempt to climb or descend a slope steeper than 5 degree may put the commode in an unstable position and cause it to tip. When going down a slope, always operate from the backward manner with the patient's back leaning on the back panel of the commode.

**DO NOT** lean forward out of the commode any further than the length of the armrests. **DO NOT** attempt to reach objects by moving forward on the commode seat.

**DO NOT** attempt to pick objects from the floor by reaching between your knees.

**DO NOT** exercise while in the commode.

### **STABILITY AND BALANCE**

To ensure stability and safe control of your commode, you must at all times maintain proper balance. The Commode has been designed to remain upright and stable during normal everyday routines, so long as whilst in the commode, you do not move your center of gravity beyond the normal seating position. Please adhere to above cautions and avoid hazard situations or unsafe practice that if not avoided, could result in minor personal injury or product/property damage.

---

## COMPONENT IDENTIFICATION AND LABEL LOCATION

The main components of the BLISS TRANSFER COMMODE are shown below,

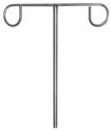


- 1 Seat Plate
- 2 Front 3" castors with brake
- 3 Footplate
- 4 Cranking Handle
- 5 Pail rack
- 6 Plastic pail
- 7 Back Plate
- 8 Moulded armrest pad
- 9 Base Frame
- 10 Lifting box
- 11 25mm x576mm Axle

This product comprises of Base, Left Seat Frame, Right Seat Frame, Commode, Upright, 3 inch front and rear castors, Foot Plates and of high strength welded epoxy coated steel pipes.

After unpacking, you should have the following parts and accessories

## OPTIONAL ACCESSORIES



IV Pole



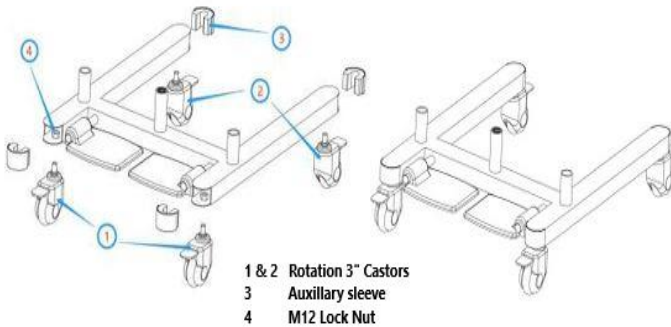
Safety Belt



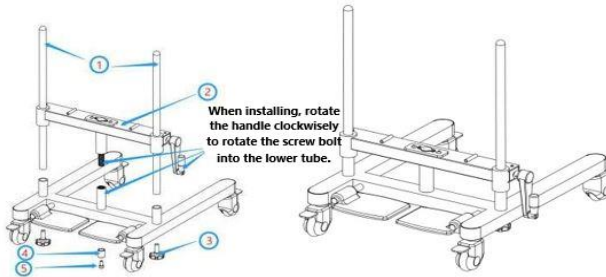
Seat Cushion

## ASSEMBLY INSTRUCTIONS

1. Front and Rear castors installations: Install front and rear rotation castor under the base as shown below. Requires 4 castors, 4 Auxillary sleeves and 4 M12 lock nuts



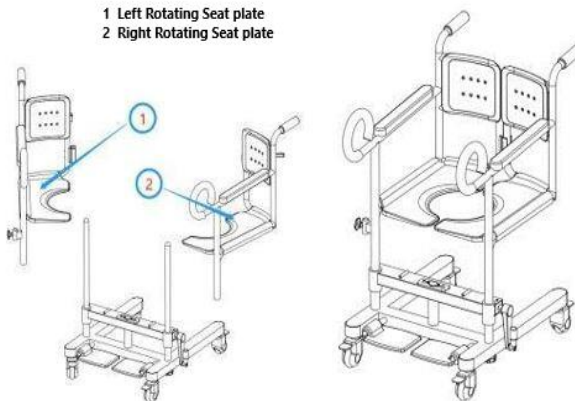
2. Partial installation of the Lifting box . Install the lifting box above the base frame as shown in the figure below



Please note that part no.4 tuber cover's ID is 19mm at one end and 200mm at another end. Ensure that the end with 20mm is facing up when assembling

You will require 25 Dia x 576mm axle x 2 pcs, 1 Lifting box, M12 screws x 2pcs, Tube cover x 1pc, M10 Hex Head screw x 20pcs and M10 washers x 20 for this assembly.

3. Install the rotating seat above the lifting box as hown in the figure below.





## PROCEDURES FOR PATIENT TRANSFER

Move the patient to the edge of the sofa or bed. Sit patient in upright position. Split open the commode and move it directly in front of the patient (Picture 1)



Figure 1

Lift the patient's foot and rest it on the Foot plate and then lock the front castors by stepping down the the brake with the foot as shown below (Picture 2)



Figure 2

Move the seat plate towards patient's hip, tilt the patient slightly and slip the seat plate to the bottom. Move the other side under the patient's hip in the same manner. Secure the safety lock with the quick clip and buckle the safety belt from the back as shown in Picture 3



Figure 3

Unlock the front castors by stepping on the brake pedal as shown in Picture 4



Figure 4

Carer then lift the patient slightly above the surface of bed by turning the handle counter clockwise and grasp the front curved handle and pull the commode out of the bed or sofa



## IMPORTANT

### FOR CAREGIVERS: TAKE CARE OF YOUR BACK

Helping a patient transfer can be hard on your back. To reduce the risk of a back injury, remember to do the following:

- Organize the steps in your mind before you move
- Explain the steps of the move and ask the patient when he or she is ready to move. • Keep your knees bent and your back straight.
- Get help if needed.
- Ask to practice first with supervision from a healthcare provider.

## PRODUCT WARRANTY

The BLISS TRANSFER COMMODE is warranted to the Original Purchaser for 12 Calendar months from date of purchase for failure of product due to defective material and workmanship but does not include wear and tear items such as wheels, seat and back panels, armrest pads.

Warranty is void if product is subject to misuse , abuse , unauthorized alterations , improper assembly , accident , if used other than designated purpose or if maximum load capacities are exceeded. This warranty is NOT Transferable and does not cover chipping , flaking, scratches , rust, dents, or other damages to finish or surface of the product. Responsibility of the Distributor is limited to repair or replacement of product. The Distributor is NOT responsible for consequential , incidental or other damages or losses resulting from product failure . The Distributor will NOT accept liability for damage caused by any misuse , unauthorized alterations or non-observance of the instructions set out in this User Manual.

## WARRANTY CLAIM PROCEDURES AND REQUIREMENTS

Proof of purchase (Original Receipt ) MUST be provided in order to establish the original purchase date and pricing. Subject to the conditions and limitations set forth below, the Distributor will, at its option , either repair or replace any part of its product that prove defective by reason of improper workmanship or materials . Repaired parts or replacement parts will be provided by the Distributor on an exchange basis, and will be either new or rectified . All rectified products have been tested to ensure that they are functionally equivalent to new products.

Repaired or replacement products will continue to be covered by the warranty for the remainder of the duration of warranty term or (90) days , whichever is longest.

In the event the product has been discontinued, the Distributor, at its own discretion, shall either repair the product or offer to replace it with a comparable product.

Should a defect or operating fault arise within the warranty period, the Distributor from where the product was originally purchased should be notified immediately . Failure to register the fault may invalidate the warranty . The Distributor where the product was purchased is responsible for any warranty repair.

## PRODUCT SPECIFICATIONS

Product name	Main material	Handgrip inside width	Front width mm	Side width mm	Total height mm	Weight capacity <u>LBS/KGS</u>
BLISS TRANSFER COMMODE	Steel Epoxy Finished	455	550	720	500-600	300/136

The Main structure is made of high strength welded epoxy coated steel pipes